

DESCRIPTION

The Data Industrial® Series 200 flow sensors from Badger Meter® feature a six-bladed impeller design with a proprietary non-magnetic sensing mechanism. The forward swept impeller shape provides higher, more consistent torque and is less prone to be fouled by waterborne debris. The forward curved shape coupled with the absence of magnetic drag provides improved operation and repeatability at lower flow rates. This is especially true where the impeller is exposed to metallic or rust particles found in steel or iron pipes. As the liquid flow turns the impeller, a low impedance square wave signal is transmitted with a frequency proportional to the flow rate. The signal can travel up to 2000 feet between the flow sensor and the display unit without the need for amplification. All sensors except irrigation versions are supplied with 20 feet of Belden type 9320 two-conductor shielded cable.

MODEL 220SS (STAINLESS STEEL)

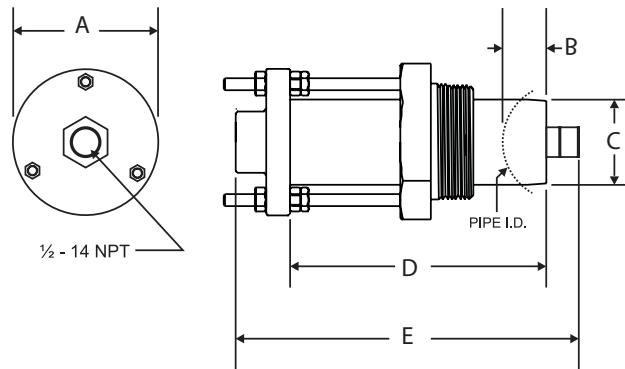
The 220SS sensors are used in most general flow measuring applications in metallic or non-metallic pipes. The sensor mounts in a 2 in. NPT pipe saddle or Threadolet® for installation in pipe sizes from 3 inches to more than 40 in. Positioning nuts on the three threaded retaining rods allow the sensor to be accurately positioned to a standard insertion depth of 1-1/2 in. into the pipe. When this insertion depth is maintained, and there are at least 10 upstream and 5 downstream diameters of straight uninterrupted flow, an accuracy of +/-1 percent of full scale can be obtained from flow velocities of 0.5...30 feet/second (± 4.0 percent of reading within calibration range).



SPECIFICATIONS

Wetted Materials for all Sensors	See "Part Number Construction" on page 2	
Sensor Sleeve and Hex Adapter	Series 300 stainless steel	
Temperature Ratings	Standard version: 221° F (105° C) continuous service	
	High temperature version: 285° F (141° C) continuous service; 305° F (150° C) peak temperature (limited duration)	
Pressure Ratings	At 100° F	At 300° F (High Temperature Version Only)
	400 psi	325 psi
Recommended Design Flow Range	0.5...30 ft/sec (0.15...9.1 m/sec) Initial detection below 0.3 ft/sec (0.09 m/sec)	
Accuracy	± 1.0% of full scale over recommended design flow range	
Repeatability	± 0.3% of full scale over recommended design flow range	
Linearity	± 0.2% of full scale over recommended design flow range	
Transducer Excitation	Supply voltage = 8V DC min. 35V DC max.	
	Quiescent current = 600 µA (typical)	
	OFF State (V_{High}) = Supply voltage - (600 µA * Supply impedance)	
	ON State (V_{Low}) = 1.2V DC @ 40 mA (15 Ω + 0.7V DC)	
Output Frequency	3.2...200 Hz	
Output Pulse Width	5 msec ±25%	
Electrical Cable for Standard Sensor Electronics	20 ft (6 m) of 2-conductor 20 AWG shielded UL type PTLC wire provided for connection to display or analog transmitter unit. Rated to 221° F (105° C). May be extended to a maximum of 2000 ft (610 m) with similar cable and insulation appropriate for application.	
Electrical Cable for IR Sensor Electronics	48 in. (122 cm) of UL style 116666 copper solid AWG 18 wire with direct burial insulation. Rated to 221° F (105° C).	
Certification	CE certified	

DIMENSIONS



A	B	C	D	E
3 in.	1-1/2 in.	1-3/4 in.	5-1/4 in.	7-1/8 in.
76 mm	38 mm	44 mm	133 mm	181 mm

Figure 1: Dimensions for 220SS

PART NUMBERING CONSTRUCTION

Standard Sensor

Example: 2	20	SS	00	0	5	-	1	2	1	1
STYLE										
Standard Flow	20									
MATERIAL										
Stainless Steel		SS								
SIZE										
Insert Style for pipe sizes 3" and up			00							
ELECTRONICS HOUSING										
PPS				0						
ELECTRONICS										
Standard Flow (STANDARD)					5					
IR-Irrigation					6					
O-RING										
Viton®							0			
EPDM (STANDARD)							1			
Buna N							8			
SHAFT										
Zirconia Ceramic								0		
Tungsten Carbide (STANDARD)								2		
316 Stainless Steel								6		
IMPELLER										
Nylon (STANDARD)									1	
Tefzel®									2	
BEARING										
UHMWPE (STANDARD)										1
Tefzel®										2
Teflon®										3

High Temperature Sensor

	Example: 2	20	SS	00	4	8	-	0	2	2	3
<u>STYLE</u>											
Standard Flow		20									
<u>MATERIAL</u>											
Stainless Steel			SS								
<u>SIZE</u>											
Insert Style for pipe sizes 3" and up				00							
<u>ELECTRONICS HOUSING</u>											
PEEK					4						
<u>ELECTRONICS</u>											
High Temperature						8					
<u>O-RING</u>											
Viton®								0			
<u>SHAFT</u>											
Tungsten Carbide (STANDARD)									2		
<u>IMPELLER</u>											
Tefzel®										2	
<u>BEARING</u>											
Teflon®											3

Control. Manage. Optimize.

Data Industrial is a registered trademark of Badger Meter, Inc. Other trademarks appearing in this document are the property of their respective entities. Due to continuous research, product improvements and enhancements, Badger Meter reserves the right to change product or system specifications without notice, except to the extent an outstanding contractual obligation exists. © 2021 Badger Meter, Inc. All rights reserved.

www.badgermeter.com